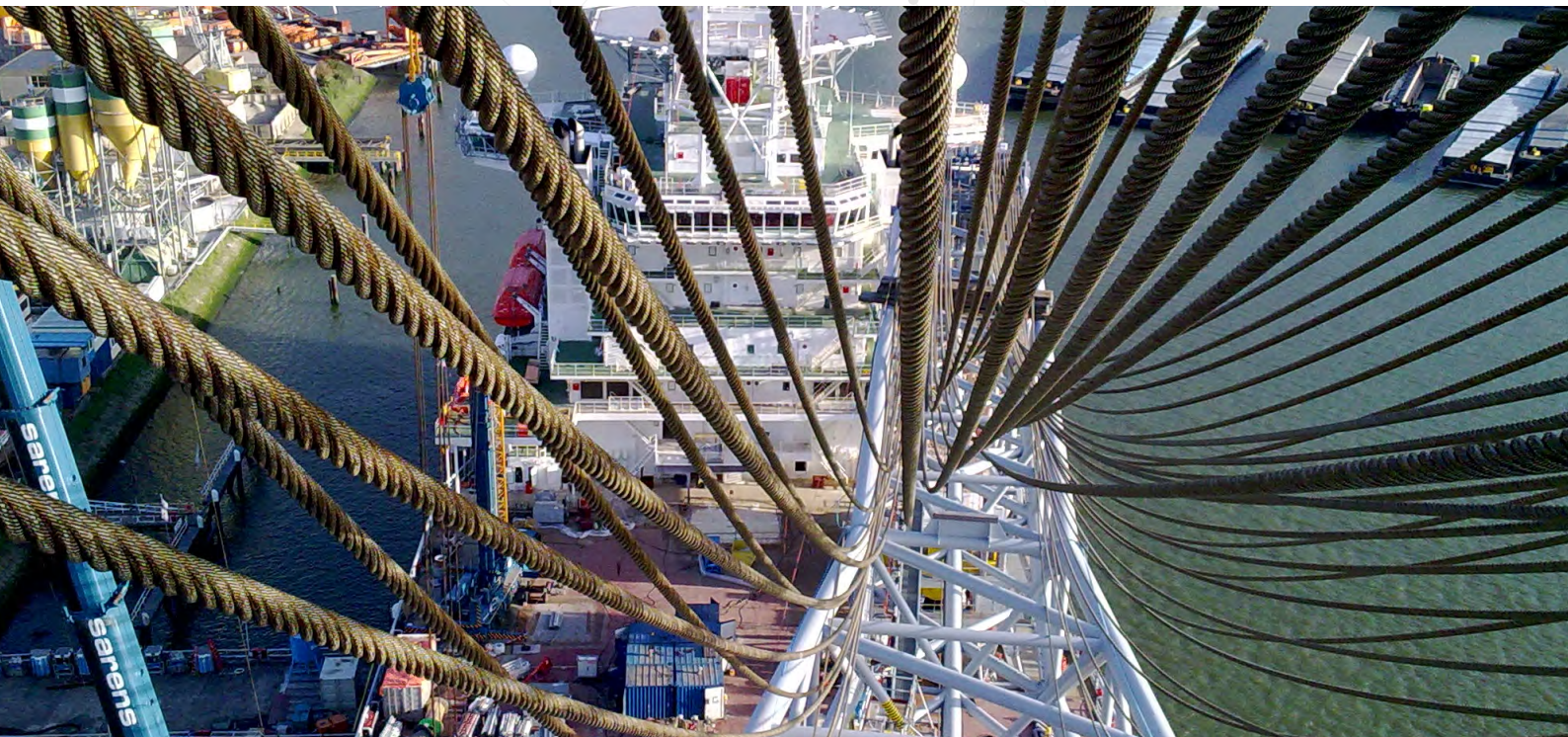




FRANKLIN OFFSHORE

FABRICATION & INSTALLATION AIDS

2018 . I



CONTENT PAGE



Introduction	3
RI-1 <i>Rigging Loft</i>	5
FOI-SP-A32 <i>75 Tonne Spooling Machine</i>	6
FOI-SP-A46 <i>100 Tonne Spooling Machine</i>	7
FOI-SP-A33 <i>150 Tonne Spooling Machine</i>	8
FOI-SP-A50 / A51 <i>170 Tonne Spooling Machine</i>	9
FOI-SP-A41 <i>280 Tonne Spooling Machine</i>	10
FOI-SP-A48 <i>600 Tonne Spooling Machine</i>	11
FOI-WN-DD3 / DD5 <i>100 Tonne Double Drum Winch</i>	12
FOI-WN-SD27 / SD28 <i>150 Tonne Double Drum Winch</i>	13
FOI-WN-SD12 <i>400 Tonne Double Drum Winch</i>	14
FOI-WN-L1 <i>400 Tonne Linear Winch</i>	15
FOI-PMT-CT2 <i>500 Tonne Chain Tensioner</i>	16
FOI-SP-H42 <i>Hub (Under Roller) Spooler</i>	17
FOI-TT-CTI <i>Track Tensioner</i>	18
FOI-HPR-175 / 1500 <i>Hydraulic Pin Release Shackle</i>	19

INTRODUCTION



Franklin Offshore Holdings Pte. Ltd.

Franklin Offshore Holdings Pte. Ltd. is the parent company of the Franklin Offshore group of companies.

A World-Class Company

The Franklin Offshore Group is a leading integrated provider of quality rigging and mooring equipment and services to the offshore construction, oil and gas exploration and production industries.

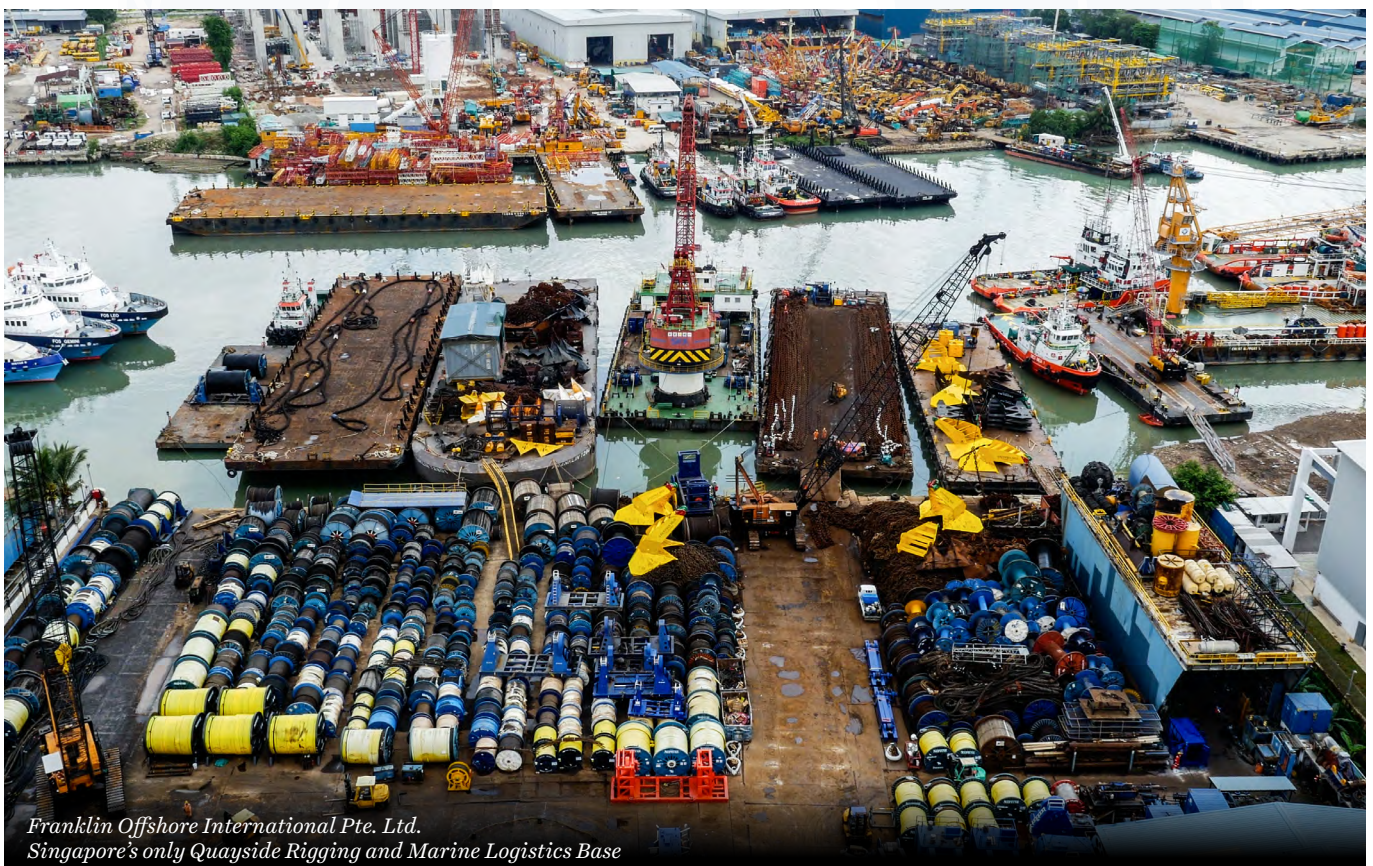
Headquartered in Singapore, the companies in the Group are strategically located worldwide to provide its customers with the fastest, most efficient and most economical service possible.

Franklin Offshore manufactures excellent products and provides a full spectrum of value-added services. Such products or services developed by the Group are branded with the "FRANKLIN" name.

The Group has an experienced and dedicated workforce and a corporate culture that is solidly based on the principles of professionalism, innovation and service.

Global Reach

Franklin Offshore has operations strategically located across the globe in Singapore, Australia, Indonesia, Malaysia, South Korea, Azerbaijan, Qatar, The Netherlands and Americas.



*Franklin Offshore International Pte. Ltd.
Singapore's only Quayside Rigging and Marine Logistics Base*

INTRODUCTION

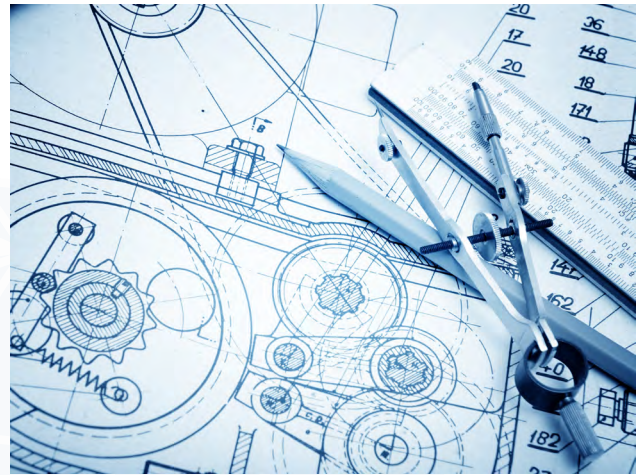


Fabrication and Installation Aids

We design and fabricate specialised installation equipment such as spooling machines, winches and a full range of specialised installation aids for the handling of temporary and permanent mooring and installation equipment for subsea construction.

These include:

- Spooling Machines
- Winches
- Under Roller Spooler
- Pile Guidance Frames
- Hydraulic Pin Release Shackles
- ROV Hooks
- Rigging Blocks
- Spreader Bars



Excellence in Design and Fabrication

Our in-house fabrication facilities are well equipped and can meet the most exacting requirements for lifting, rigging and mooring applications.

Fabrication

Our project teams consist of highly-experienced engineers, technicians and skilled craftsmen who are able to design and fabricate large-scale and exotic specialised equipment. We are fully committed to providing high-quality products and services: your one-stop-shop solutions provider.

Spooling Units

At Franklin Offshore, we are known for providing spooling equipment that is rugged and dependable with capacity ranging from 5,000 kg to a massive 400 Tonne.

Winches

Robust and reliable winches are critical for offshore operations, we sell and lease a full line of winches. These range from 5,000 kg air tuggers to our mammoth 400 Tonne winch which can be used for deploying ultra-deepwater mooring anchor piles.

RI-1

RIGGING LOFT



DESCRIPTION

The Franklin Rigging Loft is a portable container complete with all the rigging equipment and test certificates.

Each unit is designed to customers' rigging requirements.

SPECIFICATIONS (CUSTOMISABLE)

POWER SUPPLY	: 110 / 220V
LIGHTING	: Internal and External
FITTINGS	: Explosive Proof Fittings
WORK BENCH	: Complete with Bench Vice

OVERALL DIMENSIONS

WIDTH	: 2439mm
LENGTH	: 3048mm
HEIGHT	: 2439mm
WEIGHT	: 10000kg

LIFTING POINTS

Certified Lifting Points with Test Certificate



FOI-SP-A32

75 TONNE SPOOLING MACHINE



DESCRIPTION

FOI-SP-A32 is our 75 Tonne reel capacity spooling machine.

The spooling unit comes equipped with a Hagglund motor capable of delivering up to 20 Tonne back tension.

SPECIFICATIONS

MINIMUM REEL WIDTH	: 2042mm
MAXIMUM REEL WIDTH	: 3742mm
MAXIMUM DRUM FLANGE DIAMETER	: 4200mm
BACK TENSION	: 20 Tonne

OVERALL DIMENSIONS

WIDTH	: 3060mm
LENGTH	: 7160mm
HEIGHT	: 3290mm
WEIGHT	: 14000kg

LIFTING POINTS

Certified Lifting Points with Test Certificate



FOI-SP-A46



100 TONNE SPOOLING MACHINE

DESCRIPTION

FOI-SP-A46 is our 100 Tonne reel capacity spooling machine. It comes with under rollers to assist in loading in a dynamic environment.

The spooling unit comes equipped with a single Hagglund motor capable of delivering back tension up to 30 Tonne.

SPECIFICATIONS

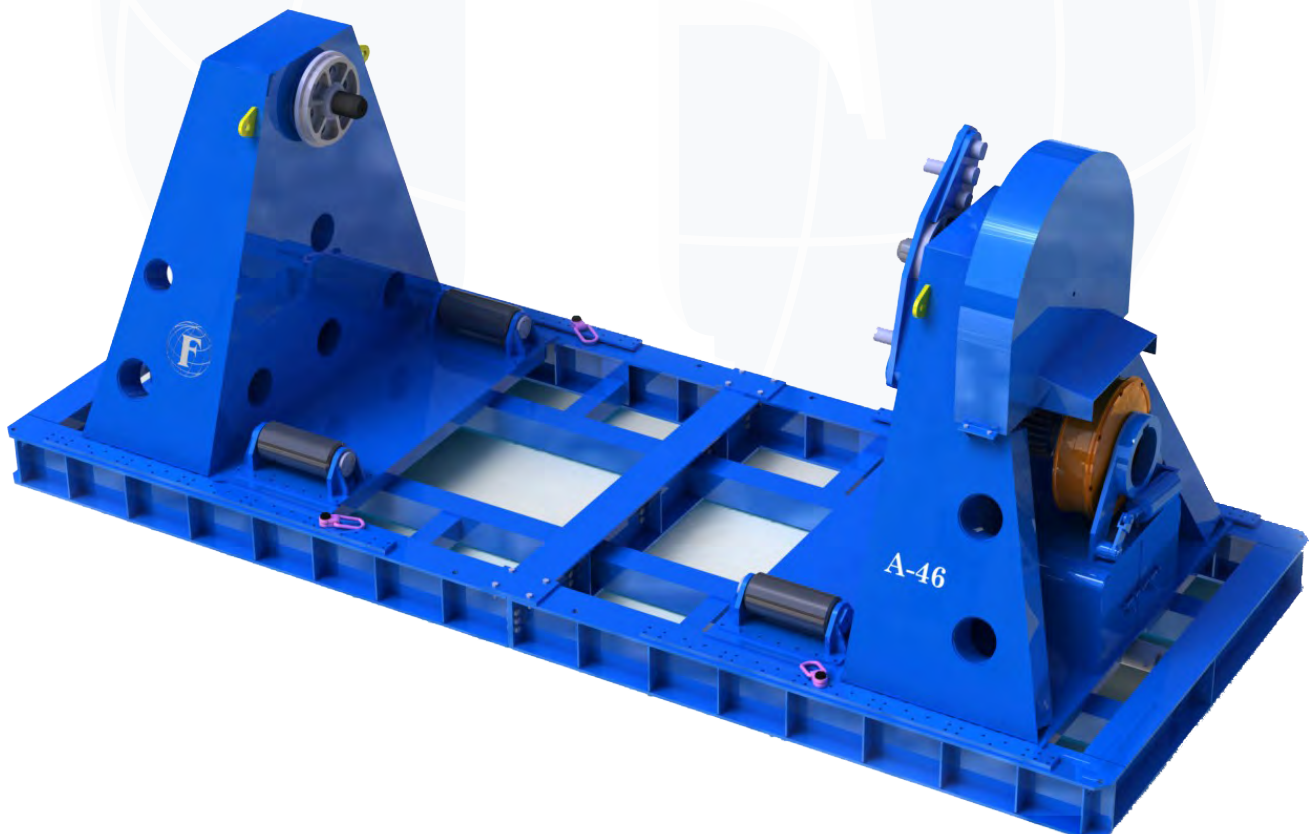
MINIMUM REEL WIDTH	: 1927mm
MAXIMUM REEL WIDTH	: Adjustable
MAXIMUM DRUM FLANGE DIAMETER	: 4000mm
BACK TENSION	: 30 Tonne
UNDER ROLLERS	: To assist loading in dynamic environment

OVERALL DIMENSIONS

WIDTH	: 3050mm
LENGTH	: 7700mm
HEIGHT	: 3300mm
WEIGHT	: 12000kg

LIFTING POINTS

Certified Lifting Points with Test Certificate



FOI-SP-A33



150 TONNE SPOOLING MACHINE

DESCRIPTION

FOI-SP-A33 is a 150 Tonne reel capacity spooling machine. The spooling unit can provide up to 50 Tonne back tension.

The spooling unit comes equipped with double Hagglund motor.

SPECIFICATIONS

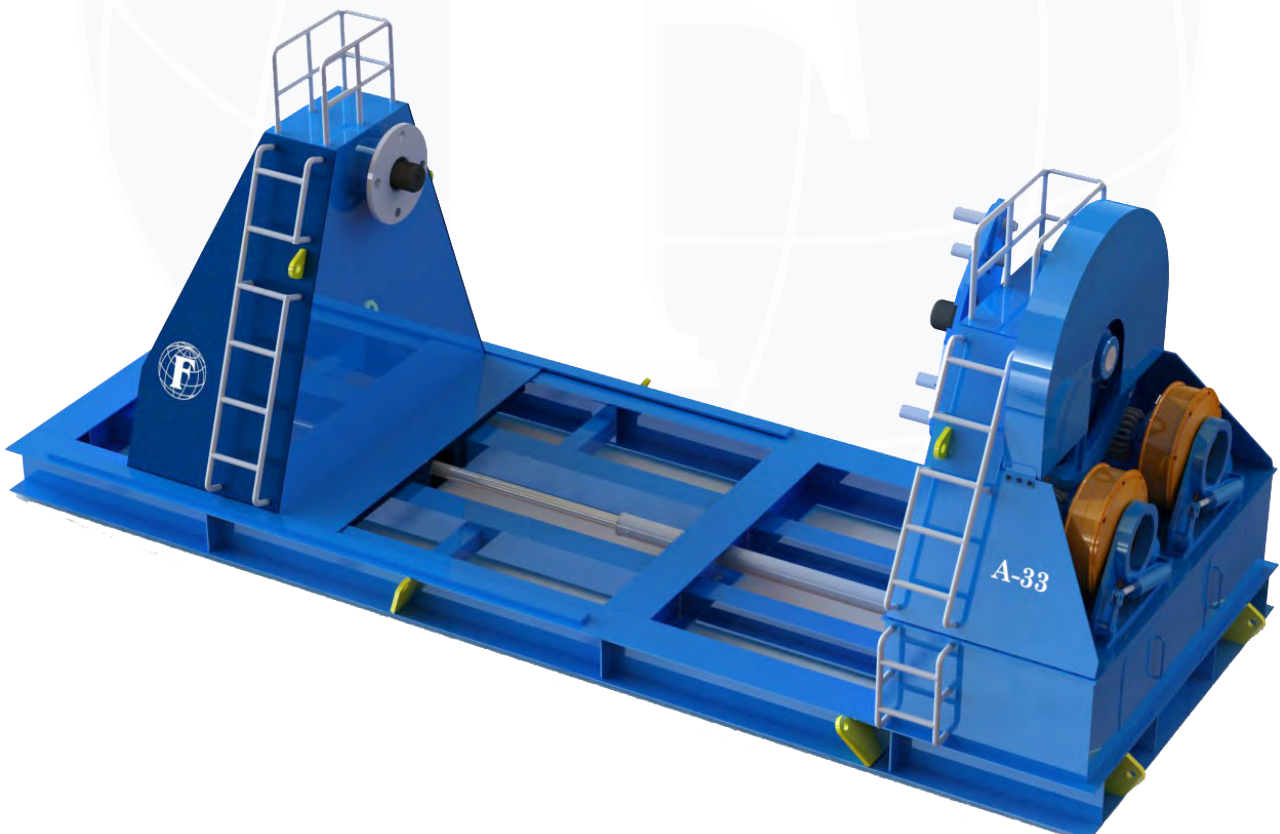
MINIMUM REEL WIDTH	: 2350mm
MAXIMUM REEL WIDTH	: 4400mm
MAXIMUM DRUM FLANGE DIAMETER	: 4000mm
BACK TENSION	: 50 Tonne

OVERALL DIMENSIONS

WIDTH	: 3310mm
LENGTH	: 8650mm
HEIGHT	: 3400mm
WEIGHT	: 20000kg

LIFTING POINTS

Certified Lifting Points with Test Certificate



FOI-SP-A50 / A51

170 TONNE SPOOLING MACHINE



DESCRIPTION

FOI-SP-A50 / A51 is our 170 Tonne reel capacity spooling machine.

The spooling unit comes equipped with a Hagglund motor capacity delivering back tension up to 36 Tonne.

SPECIFICATIONS

MINIMUM REEL WIDTH	: 1780mm
MAXIMUM REEL WIDTH	: 4000mm (extendable with adapter)
MAXIMUM DRUM FLANGE DIAMETER	: 5000mm
BACK TENSION	: 36 Tonne

OVERALL DIMENSIONS

WIDTH	: 3000mm
LENGTH	: 8150mm
HEIGHT	: 3425mm
WEIGHT	: 14000kg

LIFTING POINTS

Certified Lifting Points with Test Certificate



FOI-SP-A41

280 TONNE SPOOLING MACHINE



DESCRIPTION

FOI-SP-A41 is our 280 Tonne drum weight capacity high performance spooling unit. The spooling unit is fully adjustable by hydraulics.

The spooling unit can provide constant back tension to 38 Tonne.

SPECIFICATIONS

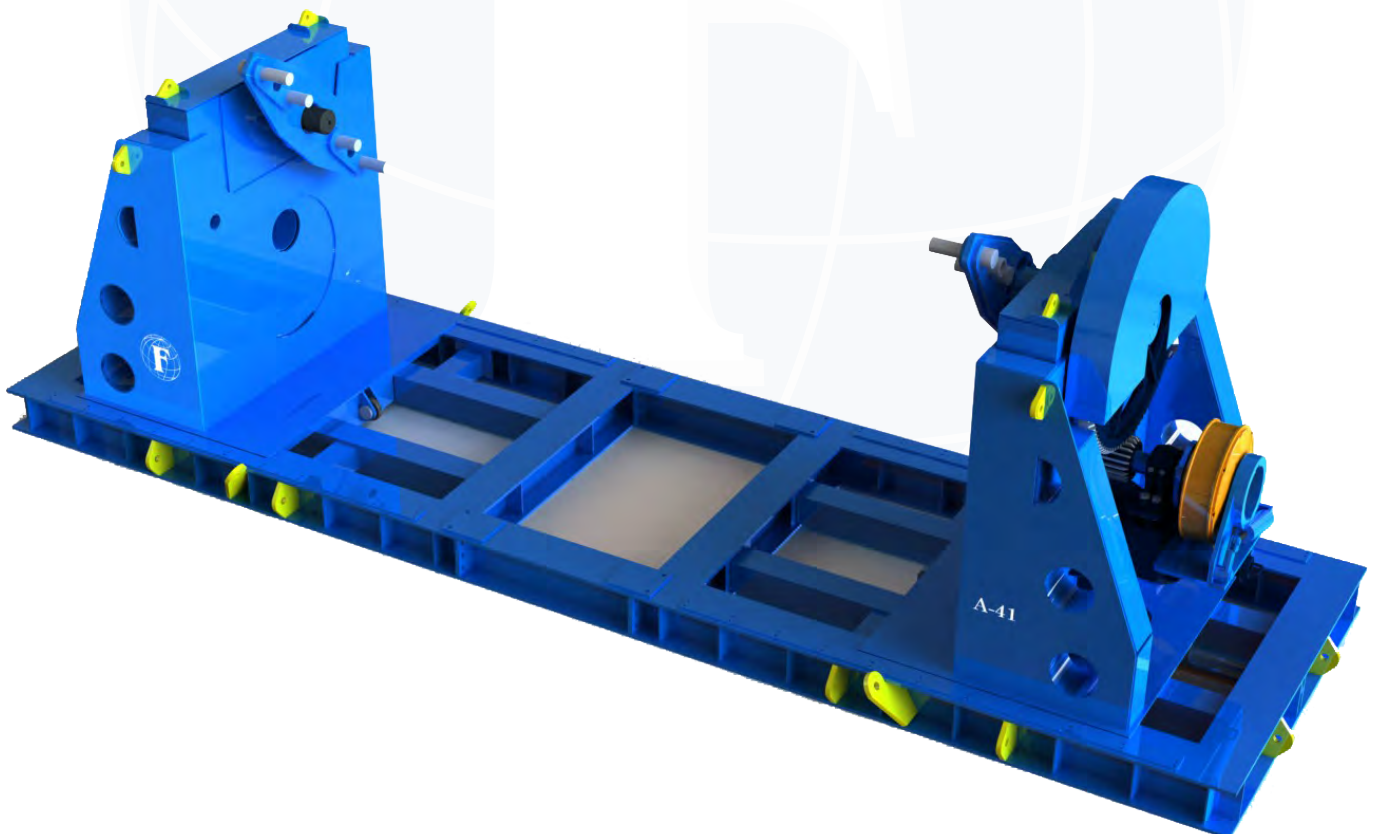
MINIMUM REEL WIDTH	: 1750mm
MAXIMUM REEL WIDTH	: Adjustable
MAXIMUM DRUM FLANGE DIAMETER	: 6182mm
BACK TENSION	: 38 Tonne

OVERALL DIMENSIONS

WIDTH	: 3400mm
LENGTH	: 10876mm (maximum)
HEIGHT	: 3800mm
WEIGHT	: 38000kg

LIFTING POINTS

Certified Lifting Points with Test Certificate



FOI-SP-A48



600 TONNE SPOOLING MACHINE

DESCRIPTION

FOI-SP-A48 is our 600 Tonne reel capacity spooling machine.

The spooling unit comes equipped with one Hagglund motor on each frame capable of delivering up to 60 Tonne back tension.

SPECIFICATIONS

MINIMUM REEL WIDTH	: Adjustable
MAXIMUM REEL WIDTH	: Adjustable
MAXIMUM DRUM FLANGE DIAMETER	: Adjustable
BACK TENSION	: 60 Tonne

OVERALL DIMENSIONS

WIDTH	: 2500mm x 2 Units
LENGTH	: 2900mm x 2 Units
HEIGHT	: 3500mm x 2 Units
WEIGHT	: 11000kg x 2 Units

LIFTING POINTS

Certified Lifting Points with Test Certificate



FOI-WN-DD3 / DD5

100 TONNE DOUBLE DRUM WINCH



DESCRIPTION

Our fleet of double drum winches are operationally friendly and designed to run mooring spreads for barges and can be set up to the customers' specific project needs.

SPECIFICATIONS

MAXIMUM PULL	: 100 Tonne	(1 st Layer)
HOISTING SPEED (LOW GEAR)	: 6m/min	(1 st Layer)
HOISTING SPEED (HIGH GEAR)	: 12m/min	(1 st Layer)
BRAKE HOLD 150 TONNE STATIC	: 150 Tonne Pawl Lock	(1 st Layer)
DD / ROPE CAPACITY	: 1720m of 58mm Diameter Steel Wire Rope	

OVERALL DIMENSIONS

WIDTH	: 3910mm
LENGTH	: 8170mm
HEIGHT	: 4137mm
WEIGHT	: 48000kg

LIFTING POINTS

Certified Lifting Points with Test Certificate



FOI-WN-SD27 / SD28

150 TONNE SINGLE DRUM WINCH



DESCRIPTION

Our 150 Tonne single drum winch has the advantage of being complete with its own built-in power pack. The robust design and accurate controls means it is highly practical for winch operations. Brake system is run by pneumatic system and pawl lock.

SPECIFICATIONS

MAXIMUM PULL	: 150 Tonne (1 st Layer)
HOISTING SPEED (LOW GEAR)	: 4m/min (1 st Layer)
HOISTING SPEED (HIGH GEAR)	: 7.8m/min (1 st Layer)
POWER PACK	: Built-In
BRAKE SYSTEM	: Pneumatic System and Pawl Lock

REEL DIMENSIONS

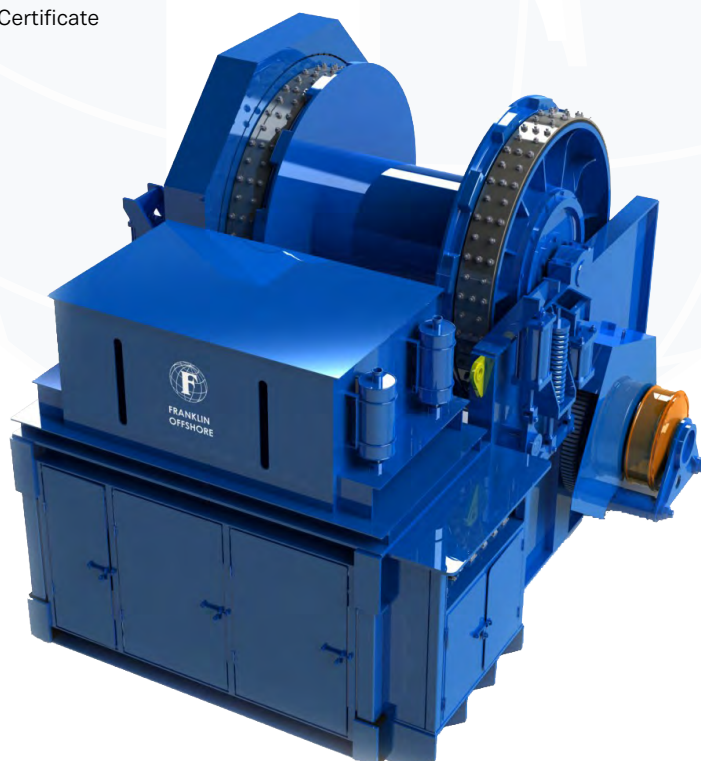
WIDTH	: 1385mm
BARREL DIAMETER	: 1006mm
DRUM FLANGE DIAMETER	: 2376mm

OVERALL DIMENSIONS

WIDTH	: 4165mm
LENGTH	: 4730mm
HEIGHT (SD27)	: 3785mm
HEIGHT (SD28)	: 3128mm
WEIGHT	: 39000kg

LIFTING POINTS

Certified Lifting Points with Test Certificate



FOI-WN-SD12

400 TONNE SINGLE DRUM WINCH



DESCRIPTION

The 400 Tonne single drum winch or "Big Blue", as she is known is a robust and efficient winch. It is ideal for use in subsea deployment and has a "constant tension" ability for up to 385 Tonne.

SPECIFICATIONS

MAXIMUM PULL	: 400 Tonne (1 st Layer)
HOISTING SPEED	: 4.4m/min (1 st Layer)
CONSTANT TENSION	: 385 Tonne

REEL DIMENSIONS

WIDTH	: 2580mm
BARREL DIAMETER	: 1800mm
DRUM FLANGE DIAMETER	: 3440mm

OVERALL DIMENSIONS

WIDTH	: 5000mm
LENGTH	: 5300mm
HEIGHT	: 4300mm
WEIGHT	: 70000kg

LIFTING POINTS

Certified Lifting Points with Test Certificate



FOI-WN-L1

400 TONNE LINEAR WINCH



DESCRIPTION

The 400 Tonne linear winch can haul in horizontal loads under automatic or manual mode. The unit is equipped with contactless limit switches with aids in continuous operation without delay.

SPECIFICATIONS

SIZE COMPATIBILITY	: 64mm Diameter Steel Wire Rope
	: 76mm Diameter Steel Wire Rope
	: 87mm Diameter Steel Wire Rope
	: 116mm Diameter Steel Wire Rope
	: Special sizes available upon request
EFFECTIVE PULL-IN SPEED	: 4m/min
CYLINDER STROKE	: 1000mm

OVERALL DIMENSIONS

WIDTH	: 2300mm
LENGTH	: 11800mm
HEIGHT	: 900mm
HEIGHT (WITH DAVIT)	: 2200mm
WEIGHT	: 35000kg

LIFTING POINTS

Certified Lifting Points with Test Certificate



FOI-PMT-CT2

500 TONNE CHAIN TENSIONER



DESCRIPTION

This system was built to meet the operational needs to cross tension chain at high loads. The unit is robust and complete with its own HPU.

The unit is supplied with MPI / NDT reports for all load bearing areas.

SPECIFICATIONS

MINIMUM CHAIN DIAMETER	: 76mm
MAXIMUM CHAIN DIAMETER	: 127mm
MAXIMUM PULL TENSION	: 500 Tonne
TENSION STROKE	: 1600mm
PUSH SPEED	: 0.9m/min
PULL SPEED	: 1.5m/min
TENSION READ OUT DISPLAY	: Provided at Power Pack

OVERALL DIMENSIONS

WIDTH	: 2122mm
LENGTH	: 9064mm
HEIGHT	: 921mm
WEIGHT	: 28000kg

LIFTING POINTS

Certified Lifting Points with Test Certificate



FOI-SP-H42



HUB (UNDER ROLLER) SPOOLER

DESCRIPTION

Our hub roller spooling unit can be used to install control speed flexible riser or spiral strand to a track tensioning unit.

SPECIFICATIONS

MAXIMUM STORAGE CAPACITY	: 250 Tonne
MINIMUM DRUM FLANGE DIAMETER	: 9800mm
MAXIMUM DRUM FLANGE DIAMETER	: 6000mm
HOISTING SPEED	: 2 RPM
HOISTING FORCE	: 16 Tonne
BACK TENSION FORCE / BRAKE FORCE	: 18.5 Tonne

OVERALL DIMENSIONS

WIDTH	: 7960mm
LENGTH	: 7500mm
HEIGHT	: 1200mm
WEIGHT	: 18000kg

LIFTING POINTS

Certified Lifting Points with Test Certificate



FOI-TT-CTI

TRACK TENSIONER



DESCRIPTION

The track tensioner has the ability to lay flexible riser and umbilical subsea. It can be used in conjunction with the H40 Hub Spooling Machine.

SPECIFICATIONS

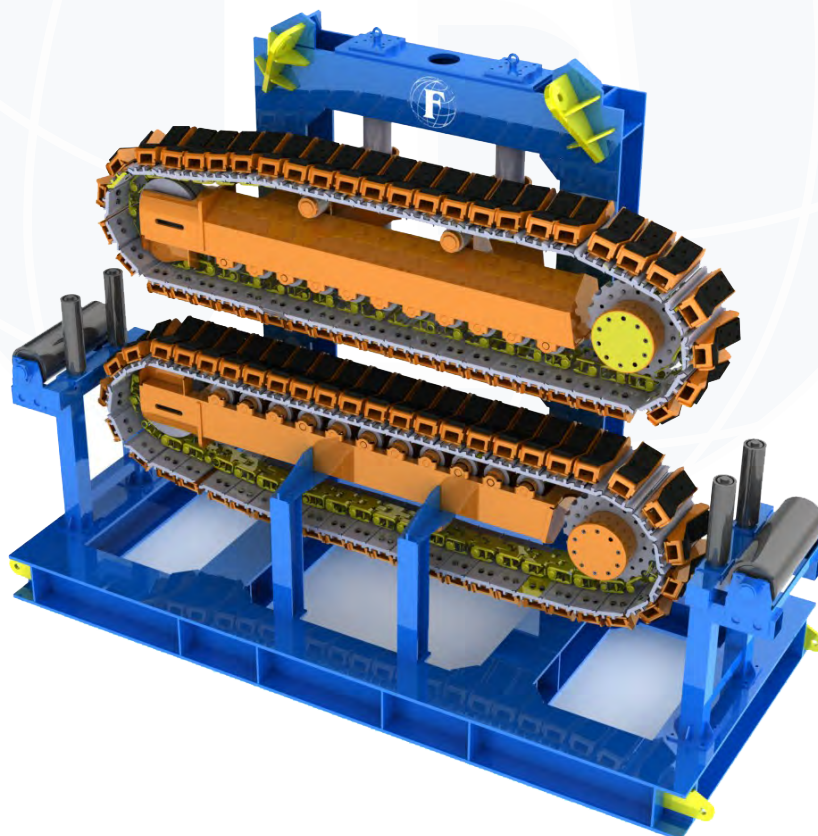
MINIMUM DIAMETER OF PRODUCT	: 130mm
MAXIMUM DIAMETER OF PRODUCT	: 800mm
CLAMPING LENGTH	: 2.812 Tonne
MAXIMUM CLAMPING FORCE	: 46 Tonne
MAXIMUM PULLING FORCE	: 19.8 Tonne
MAXIMUM HOLD-BACK TENSION	: 23.3 Tonne

OVERALL DIMENSIONS

WIDTH	: 2400mm
LENGTH	: 6283mm
HEIGHT	: 4370mm
WEIGHT	: 20000kg

LIFTING POINTS

Certified Lifting Points with Test Certificate



FOI-HPR-175/1500

HYDRAULIC PIN RELEASE SHACKLE

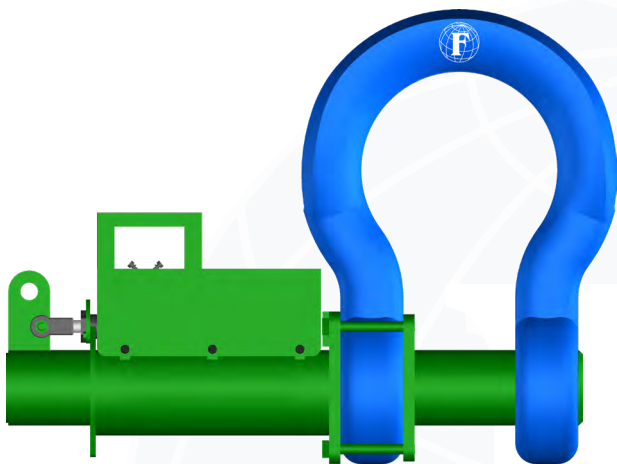


Leadership in Design and Certification

We are a leading provider of hydraulic pin release shackles. Over the years, we have gained extensive experience in the hydraulic engineering design and fabrication of a comprehensive range of reliable robust hydraulic pin release shackles. These are certified to the highest quality standards for onshore or offshore subsea use.

Product Range

We can provide hydraulic pin release shackles from 17.5 to 1500 Tonne

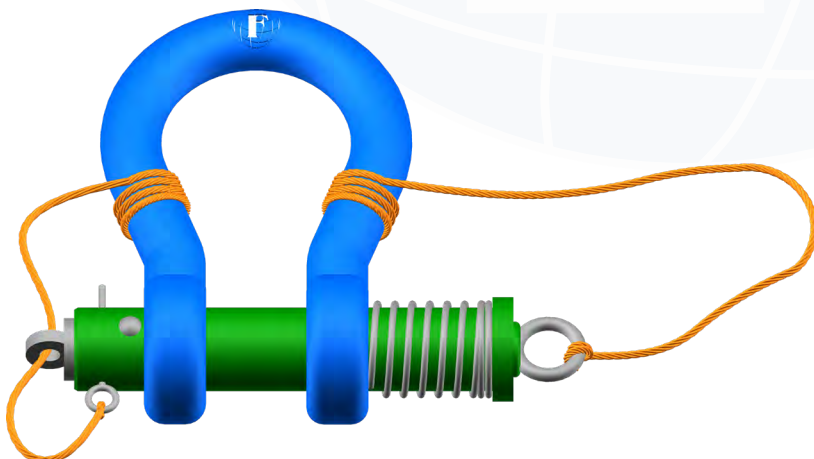


Subsea Lifting Equipment

We provide many different products in our Remote Operated Vehicle (ROV) and subsea lifting equipment Franklin brand product range. These products are specially designed for ROV use and are fully certified for subsea use.

ROV Quick Release Shackle Product Range

We can provide quick pin release shackles from 17.5 to 1500 Tonne





Your Global Partner for Integrated Rigging and Mooring Solutions

**Franklin Offshore Holdings Pte. Ltd.
(Corporate Headquarters)**

11 Pandan Road
Singapore 609259
Tel : +65 6264 3451
Fax : +65 6264 1130
Email : general@franklin.com.sg

Franklin Offshore International Pte. Ltd.

11 Pandan Road
Singapore 609259
Tel : +65 6264 3451
Fax : +65 6264 1130
Email : general@franklin.com.sg

Marine and Logistics Support Base

10 Pioneer Sector 1
Singapore 628444
Tel : +65 6863 1110
Fax : +65 6863 4881
Email : general@franklin.com.sg

Franklin Offshore Mooring Pte. Ltd.

11 Pandan Road
Singapore 609259
Tel : +65 6264 3451
Fax : +65 6264 1130
Email : general@franklin.com.sg

CFE Engineers Asia Pte. Ltd.

10 Pioneer Sector 1
Singapore 628444
Tel : +65 6861 6006
Fax : +65 6863 6106
Email : general@cfe.com.sg

Energy Equipment Services Pte. Ltd.

11 Pandan Road
Singapore 609259
Tel : +65 6266 8786
Fax : +65 6266 8780
Email : general@eesvc.com.sg

Franklin Offshore Americas, Inc.

P.O. Box 338
1998 FM 362
Brookshire, Texas 77423
U.S.A.
Tel : +1 (281) 578 3828
Fax : +1 (281) 578 2938
Email : general@franklinamericas.com

Franklin Offshore Australia Pty. Ltd.

Perth (Head Office)
7 Possner Way
Henderson, WA 6166
Australia
Tel : +61 (8) 9410 6000
Fax : +61 (8) 9410 6001
Email : sales@franklinoffshore.com.au

Darwin

(Operating Base)
4 Cochrane Road, Berrimah
Darwin NT 0828
Australia
Tel : +61 (8) 8947 3777
Fax : +61 (8) 8947 3700
Email : darwinsales@franklinoffshore.com.au

Karratha

(Operating Base)
20b Seabrook Crescent
Karratha, WA 6714
Australia
Tel : +61 (8) 9185 3080
Fax : +61 (8) 9185 3546
Email : dampiersales@franklinoffshore.com.au

Franklin Offshore Caspian Ltd.

Salyan Highway, 15th Km.
Baku, AZ - 1023
Azerbaijan
Tel : +994 (12) 447 4071
Fax : +994 (12) 447 4076
Email : office@franklin.az

Franklin Offshore Europe B.V.

Scheepsbouwweg 45/Harbour 2610 - 2614
3089 JW Rotterdam
The Netherlands
Tel : +31 (0) 10 294 0857
Fax : +31 (0) 10 495 4085
Email : info@franklineurope.nl

PT. Franklin Offshore Indonesia Perkasa

(Office/Yard)
Jl. Mulawarman No. 48 RT. 38
Kelurahan Manggar
Kecamatan Balikpapan Timur
Balikpapan 76116
Kalimantan Timur, Indonesia
Tel : +62 542 743668
Fax : +62 542 743688
Email : enquiry@franklinindonesia.com

Jakarta

SOHO Podomoro City, Unit 2806
Jl. Let. Jend. S. Parman Kav. 28.
Jakarta Barat 11470, Indonesia
Tel : +62 278 93490
Fax : +62 278 93492
Email : enquiry@franklinindonesia.com

Franklin Offshore Korea Co., Ltd.

42, Garisae 2-ro 13beon-gil
Gangseo-gu
Busan, Korea 46727
Tel : +82 (51) 832 0156/7
Fax : +82 (51) 832 0158
Email : franklin@franklinkorea.com

Franklin Offshore Qatar W.L.L.

Street No. 45, Gate 44
Salwa Industrial Area
PO Box 32297
Doha, Qatar
Tel : +974 4450 0338
Fax : +974 4450 0339
Email : general@franklinqatar.com